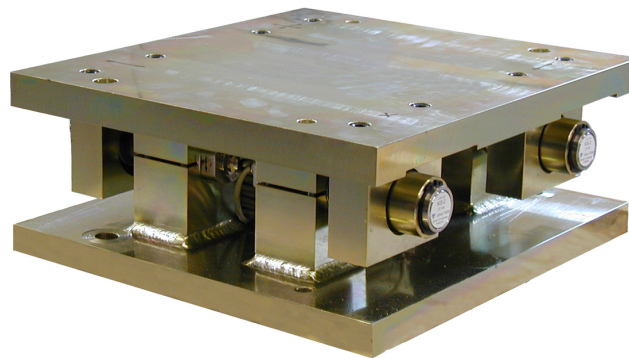


## Technical specifications

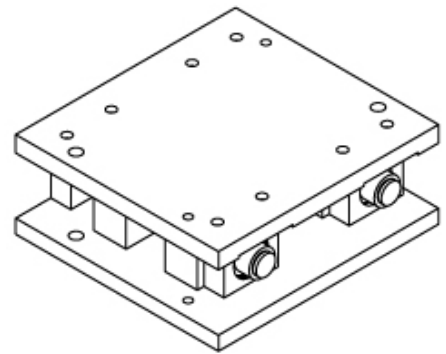
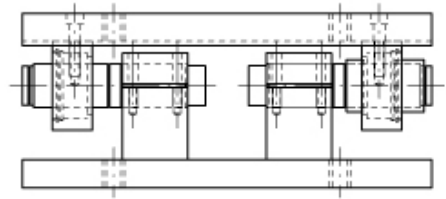
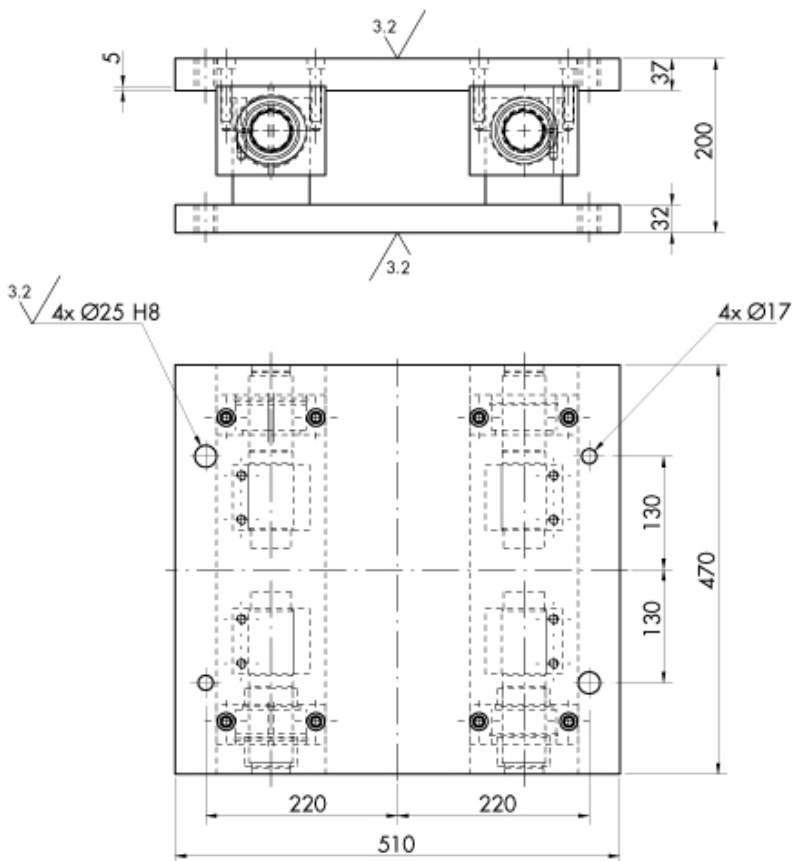
PWS11320260619

The PST product is a tensiometric system that is useful to keep the tension of the rolled or unrolled material constant and to measure in order to avoid product breakages and machine jams with consequent production stops. PST, compact and robust, is insensitive to the thermal expansion of the diverter roller and to the lateral load forces. In particular it is ideal for the steel industry. The PST tensiometric system is equipped with 4 cables 5 meters long for electrical connections.

<b>Rated load RL:</b>	20, 40, 80, 200 kg
<b>Combined error:</b>	< 0.05 % RO
<b>Repeatability:</b>	< 0.03 % RO
<b>Safe overload:</b>	100 % RL
<b>Gain drift:</b>	-10 ÷ +50 °C
<b>Ultimate overload:</b>	200 % RL
<b>Material:</b>	Load cells in stainless steel. Mounting kit electro zinc chromated
<b>Degree of protection:</b>	IP67
<b>Rated output RO:</b>	2.04 mV/V

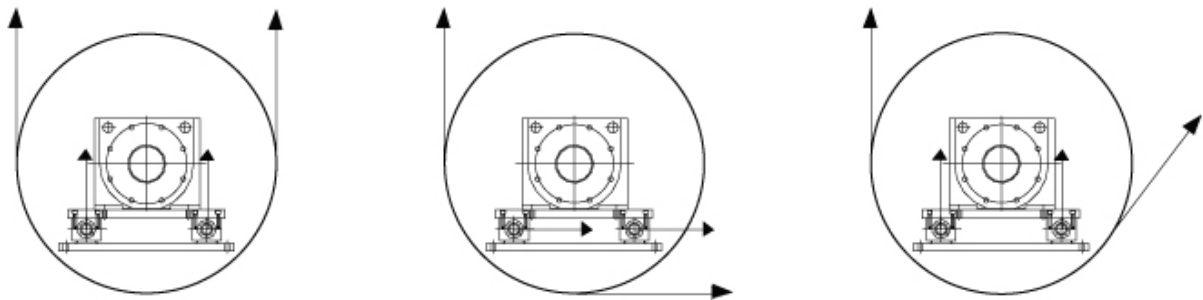


All indicated data may be changed without notice.  
 All the measures indicated are expressed in millimeters (mm).

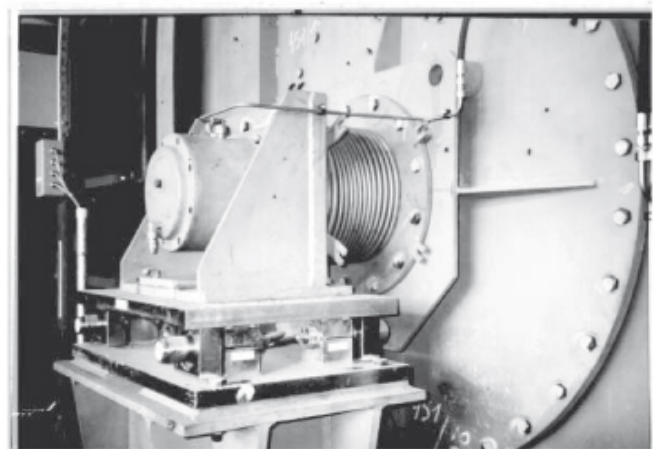
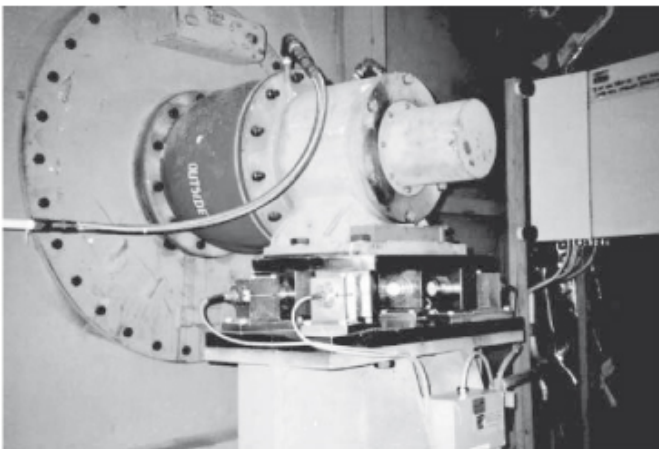


*The block can be customized*

All indicated data may be changed without notice.  
All the measures indicated are expressed in millimeters (mm).



What ever is the profile of the strip tension on the measuring roller, what ever is the mechanical mounting of the measuring roller on the new or existing furnace, the PST will be mechanically adapted to the customer application



All indicated data may be changed without notice.  
All the measures indicated are expressed in millimeters (mm).