

## General information

PWS34920260706

The Model 620 is a stainless steel S-type load cell. Its welded sealing combined with high accuracy, make this load cell ideally suited for a wide range of applications of process weighing and force measurements. Approvals include OIML C3 (3000d); NTEP 3000d single and NTEP 5000d multiple. Also available are versions approved for hazardous areas—ATEX II 1 GD Ex ia T6 for Europe and FM I, II, III Division 1 for the USA. The six-wire cable includes two sense wires that compensate for changes in lead resistance due to temperature changes and cable extension. The Model 620 offers a choice of bolt threads in metric or unified systems



## Suggested related products

A highly performing weighing system must be accurate, perfectly calibrated and well maintained. In order to improve the load cell performance and to optimize its functioning, you may need the following products:

**Weight Transmitter** [DAT 1400](#)

**Weight Indicator** [MCT 1302](#)

**Tester 1008** [TESTER 1008](#)

**Junction Box** [CGS4-C](#)

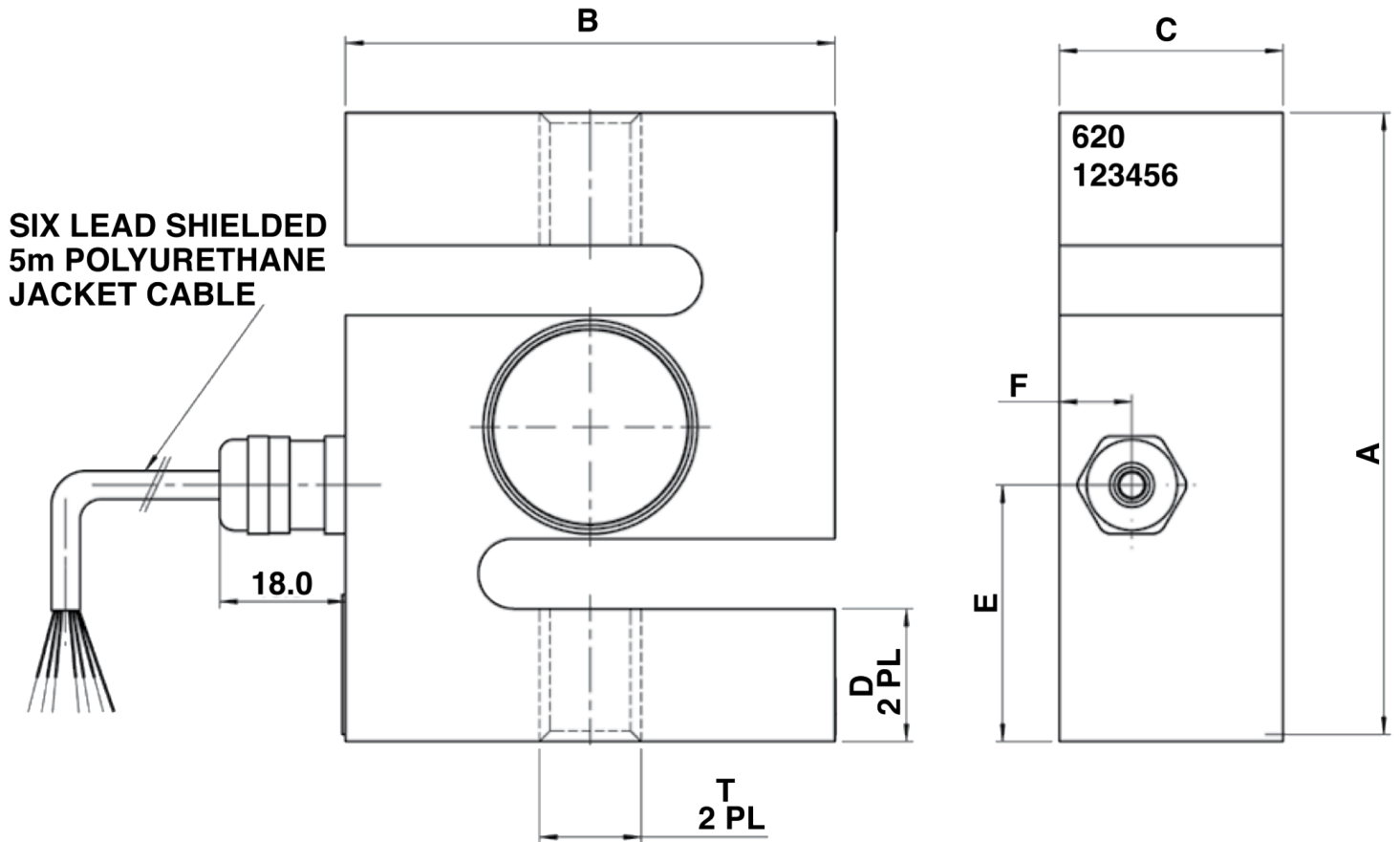
All indicated data may be changed without notice.  
All the measures indicated are expressed in millimeters (mm).

## Technical specifications

PWS34920260706

<b>Rated Load (RL):</b>	500, 1000, 2000, 5000
<b>Ultimate overload:</b>	300 % RL
<b>Material:</b>	Stainless steel
<b>Degree of protection:</b>	IP68
<b>Compensated Temperature:</b>	-10 ÷ +40°C
<b>Temperature range:</b>	-30 ÷ +90°C
<b>Temperature effect on zero balance:</b>	±0.00112 % (NTEP); ±0.0070 % (Non Approved); ±0.0035 % (C2/50); ±0.0023 % (C3/50); RO/°C
<b>Temperature effect on output:</b>	±0.0018 % (NTEP); ±0.0400 % (Non Approved); ±0.0014 % (C2/50); ±0.0012 % (C3/50); RO/°C
<b>Rated output RO:</b>	2 mV/V
<b>Zero balance:</b>	±0.20 mV/V
<b>Insulation resistance:</b>	> 2000 MOhm
<b>Input impedance:</b>	400±20 Ohm
<b>Maximum input voltage:</b>	15 Vdc or Vac rms
<b>Nominal input voltage:</b>	10 Vdc or Vac rms
<b>Output impedance:</b>	350±3 Ohm

All indicated data may be changed without notice.  
All the measures indicated are expressed in millimeters (mm).


**Wiring Schematic Diagram**

		Thread Type "T" by Capacity		
		CAPACITY	METRIC	UNIFIED
+VE INPUT	Blue			
+VE SENSE	Green			
+VE OUTPUT	White	500 kg	M12 x 1.75	1/2-20 UNF
-INPUT	Black	1000 kg	M16 x 2.0	1/2-20 UNF
-VE SENSE	Grey	2000 kg	M16 x 2.0	3/4-16 UNF
-OUTPUT	Red	5000 kg	M24 x 2.0	1-12 UNF

**CAPACITY (Kg)**

CAPACITY (Kg)	A	B	C	D	E	F
500, 1000, 2000	90	70	32	19	36.6	10.4
5000	120	100	45	26	60	13.8

All indicated data may be changed without notice.  
 All the measures indicated are expressed in millimeters (mm).