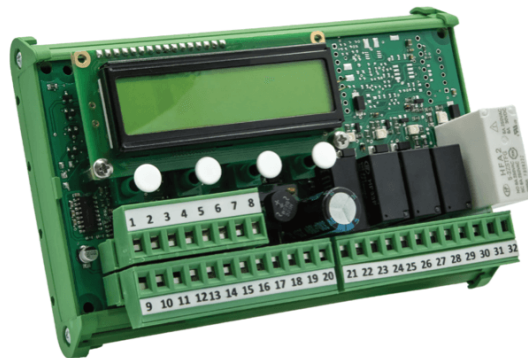


## General information

PWS40520260418

The load limiter LC 330 is an electronic instrument compact and reliable, compliant to the safety regulations EN 13849-1 PL d / EN 62061 SIL 2, designed for to prevent overloads and to ensure the safety of the operators. It is equipped with: 2 inputs independent for load cells (single or dual bridge). Display LCD backlit to 2 lines x 16 characters. Keypad to 4 mechanical keys for calibration and configuration quick. Terminal blocks extractable for to simplify wiring and maintenance. Function adder up to 4 units connected (via RS485 or RF optional). Relay of safety to contacts guided for blocking and alarms.



Technical Manual: [lc-330\\_technical\\_manual.pdf](#)

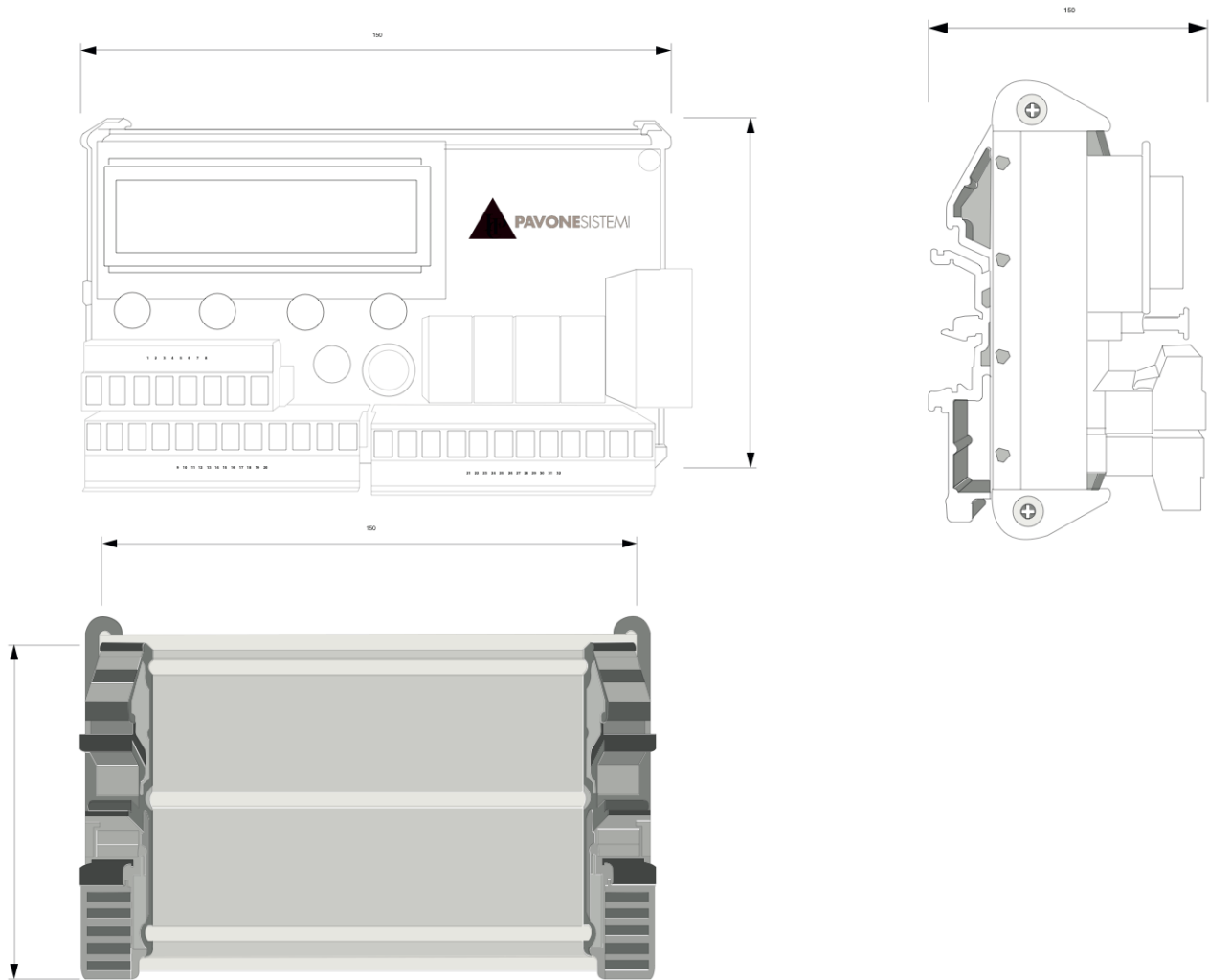
All indicated data may be changed without notice.  
All the measures indicated are expressed in millimeters (mm).

## Technical specifications

PWS40520260418

<b>Measuring range:</b>	-3,9 ÷ +3,9 mV/V
<b>Internal Resolution:</b>	24 bit
<b>Linearity:</b>	<0,01% full Scale
<b>Gain drift:</b>	<0,002% FS / °C
<b>Filter:</b>	0,25 ÷ 3 Hz selezionabile
<b>Display:</b>	LCD display with backlight 2 x 16 character
<b>Keyboard:</b>	4 mechanical keys
<b>Number of connectable load cells:</b>	Max 8 cells from 350 Ohm (single/dual bridge)
<b>Voltage power cell:</b>	4 Vdc short-circuit protected
<b>Logic inputs:</b>	2 optoisolated inputs
<b>Logic output:</b>	1 safety interlock relay, 2 limit relays, 1 alarm relay
<b>Rated load RL:</b>	2A – 30Vdc/250Vac
<b>Analog optional output:</b>	0–10 V / 0–5 V o 0–20 mA / 4–20 mA, 16 bit
<b>Output linearity:</b>	0,03 % full scale
<b>Temperature drift analog output:</b>	<0,002 % full scale/°C
<b>Communication interfaces:</b>	RS232, RS485, Optional RF (868 MHz)
<b>Flash memory:</b>	128 KB Flash + 32 KB EEPROM (expandable to 256 KB)
<b>Microcontroller:</b>	ARM Cortex M0+ 32 bit
<b>Power supply:</b>	20 ÷ 50 Vac/Vdc, 6 VA
<b>Isolation:</b>	Class III
<b>Power consumption:</b>	6 VA
<b>Temperature range:</b>	-10 ÷ +50°C (max 85% humidity without condensation)
<b>Storage temperature:</b>	-20 ÷ +60°C
<b>Material:</b>	Polyamide 6.6 UL 94V-0 flame retardant
<b>Electrical connection:</b>	Removable screw terminals with 5.08mm pitch and RJ45, USB A and B communication ports
<b>Dimensions:</b>	140 x 93 x 65 mm (Enclosure) / 90 x 72 mm (Circuit board)
<b>Mounting type:</b>	Fixing with 4 screws or on support for DIN bar or OMEGA bar 35 mm
<b>Regulatory compliance:</b>	EN61010-1, EN61000-6-2, EN61000-6-3, EN13849-1, EN62061 SIL

All indicated data may be changed without notice.  
All the measures indicated are expressed in millimeters (mm).

**Electronic Overload Guard LC 330**


All indicated data may be changed without notice.  
 All the measures indicated are expressed in millimeters (mm).